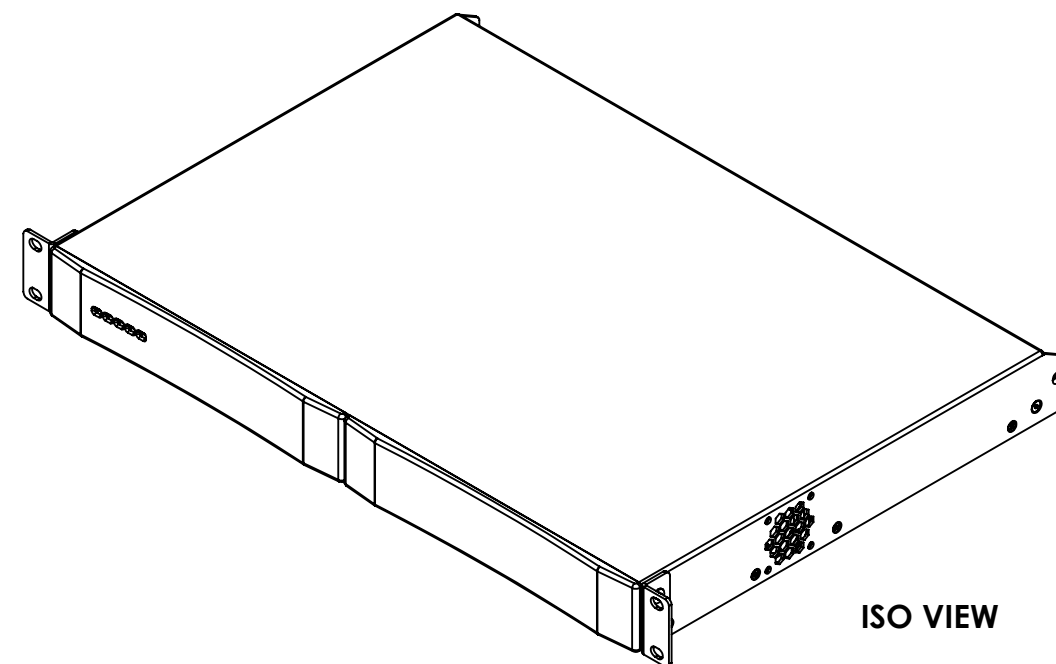
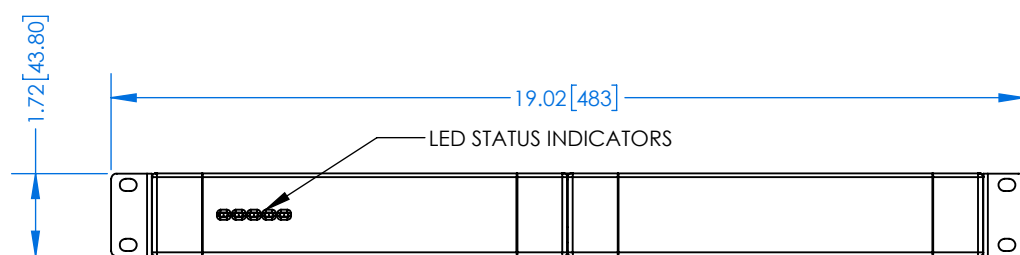


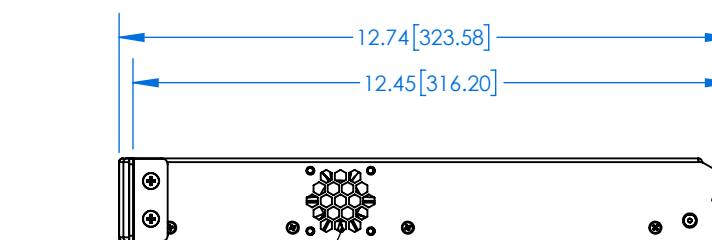
TOP VIEW



ISO VIEW

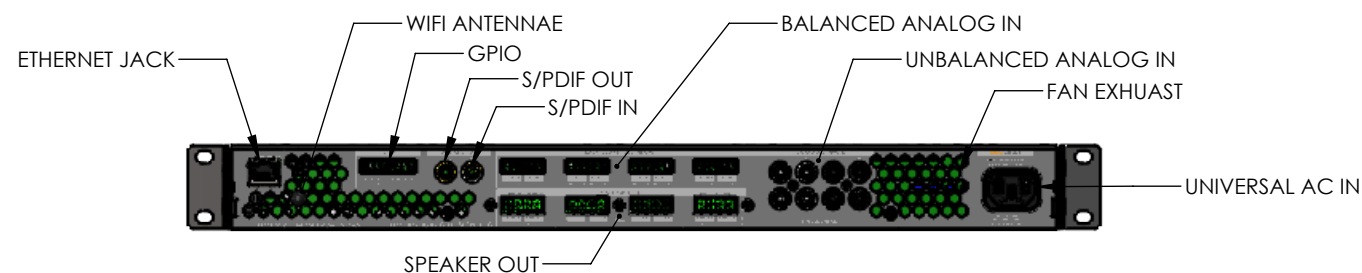


FRONT VIEW



FAN INLET (BOTH SIDES)

SIDE VIEW



REAR VIEW

PROPRIETARY AND CONFIDENTIAL
 THE INFORMATION CONTAINED IN THIS DRAWING IS THE SOLE PROPERTY OF THEORY AUDIO DESIGN, LLC. ANY REPRODUCTION IN PART OR AS A WHOLE WITHOUT THE WRITTEN PERMISSION OF THEORY AUDIO DESIGN, LLC IS PROHIBITED. THE HOLDER OF THIS DOCUMENT SHALL KEEP ALL INFORMATION CONTAINED HEREIN CONFIDENTIAL AND SHALL PROTECT THE SAME IN WHOLE OR IN PART FROM DISCLOSURE AND DISSEMINATION TO ALL THIRD PARTIES.

| | | | | | | | | | |
|-------------|--|---|--------|-----------|------|--|----------|--|--------------|
| | | UNLESS OTHERWISE SPECIFIED: | | NAME | DATE | | | | |
| | | DIMENSIONS ARE IN INCHES TOLERANCES: | | DRAWN | | | | TITLE: THEORY DLC-250.8 LOUDSPEAKER CONTROLLER | |
| | | 0.0-5.0" | ±0.010 | CHECKED | | SIZE | PART NO. | | |
| | | 5.01-10.0" | ±0.015 | ENG APPR. | | B | TF1026 | A | |
| | | >10.01" | ±0.020 | MFG APPR. | | SCALE: 1:4 | | WEIGHT: 2.59 | SHEET 1 OF 1 |
| | | INTERPRET GEOMETRIC TOLERANCING PER: | | Q.A. | | THEORY AUDIO DESIGN, LLC 25741 Atlantic Ocean Dr. Lake Forest, CA 92630 www.theoryaudiodesign.com | | | |
| NEXT ASSY | | USED ON | | FINISH | | | | | |
| APPLICATION | | DO NOT SCALE DRAWING | | | | | | | |