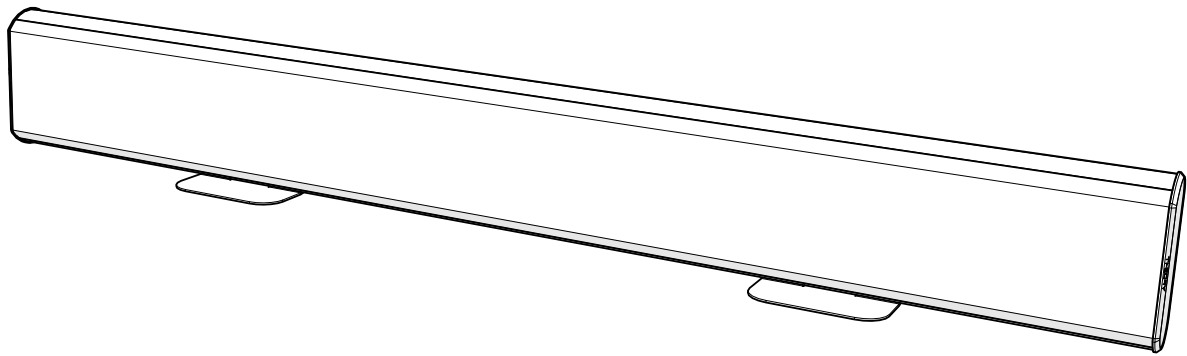


SB TABLETOP STAND



QUICK START INSTALLATION
GUIDE

Rev A 210206

THEORY
THEORY AUDIO DESIGN

LIMITED WARRANTY

Disclaimer : THEORY AUDIO DESIGN, LLC is not liable for any damage to loudspeakers or any other equipment that is caused by negligence or improper use or installation of this product, including damage caused by connecting Theory loudspeakers and subwoofers to third party amplifiers.

THEORY AUDIO DESIGN, LLC 5-Year Limited Loudspeaker, Subwoofer and Loudspeaker Accessory Warranty

THEORY AUDIO DESIGN, LLC guarantees its loudspeakers, subwoofers and loudspeaker accessory products to be free from defective materials and/or workmanship for a period of five (5) years from the date of sale, and will replace defective parts and/or repair malfunctioning products under this warranty when the defect occurs under normal installation and use - provided that the unit is returned to our factory or one of our authorized service centers via prepaid transportation with a copy of proof of purchase (sales receipt). This warranty provides that the examination of the return must indicate, in our judgment, a manufacturing defect. This warranty does not extend to any product which has been subject to misuse, neglect, accident, improper installation or where the date code has been removed or defaced. THEORY shall not be liable for incidental and/or consequential damages. The warranty gives you specific legal rights. This limited warranty is not transferable. Customer may have rights which vary from state to state.

In the event that this product was manufactured for export and sale outside of the United States or its territories, then this limited warranty does not apply. Removal of the serial number on this product, or purchase of this product from an unauthorized dealer will void this limited warranty.

EXCLUSIONS

To the extent permitted by law, the warranty set forth above is in lieu of, and exclusive of, all other warranties, express or implied, and is the sole and exclusive warranty provided by Theory Audio Design, LLC. All other express and implied warranties, including the implied warranties of merchantability, implied warranty of fitness for use, and implied warranty of fitness for a particular purpose are specifically excluded.

Theory Audio Design, LLC shall not be liable for consequential, incidental, economic, property, bodily injury, or personal injury damages arising from the product, any breach of this warranty or otherwise.

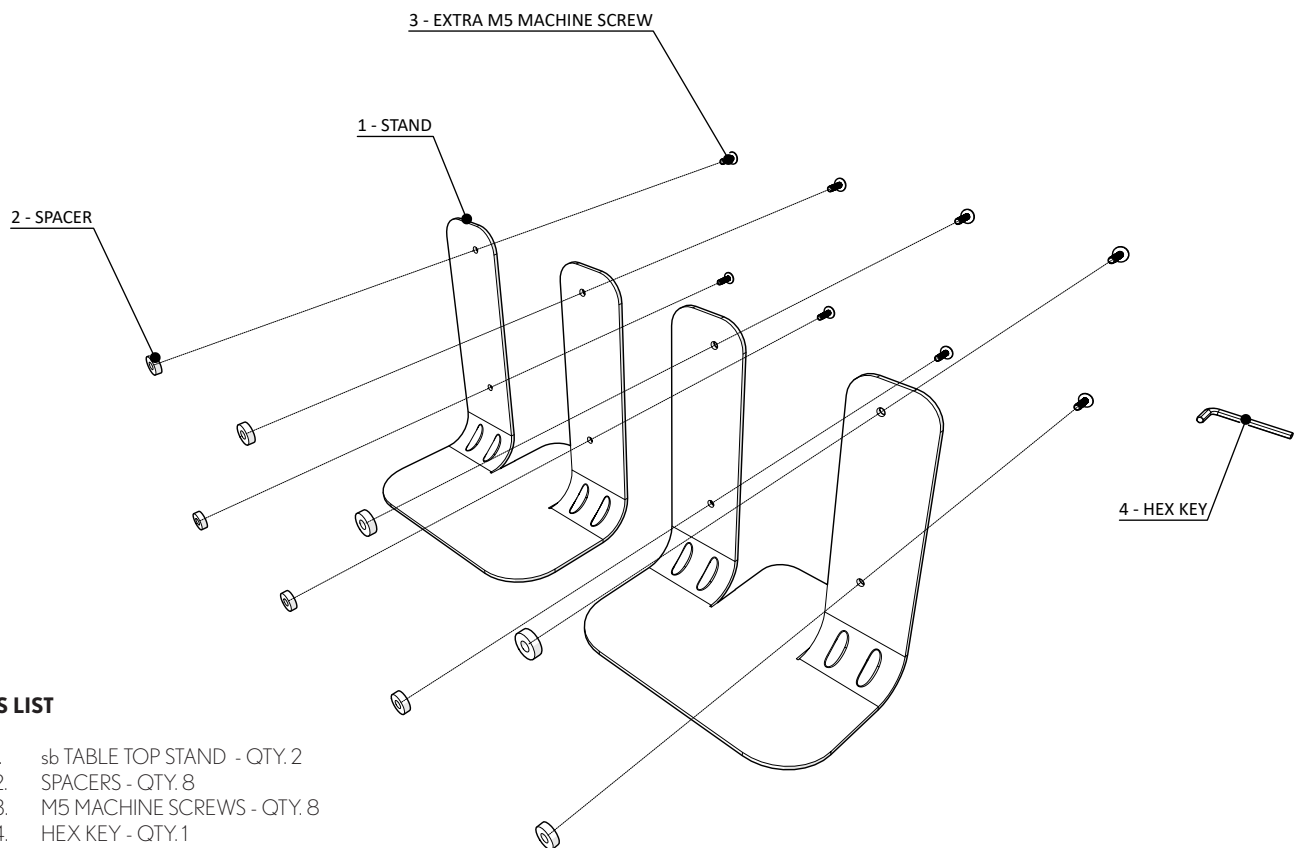
This warranty statement gives you specific legal rights, and you may have other rights which vary from state to state. Some states do not allow the exclusion of implied warranties or limitations of remedies, so the above exclusions and limitations may not apply. If your state does not allow disclaimer of implied warranties, the duration of such implied warranties is limited to period of THEORY'S express warranty

Periodically this warranty is updated. To obtain the most recent version of THEORY'S warranty statement, please call +1-949-245-0505.

IMPORTANT SAFETY INSTRUCTIONS

1. Read all instructions.
2. Keep these instructions.
3. Heed all warnings.
4. Follow all instructions.
5. Do not use this apparatus near water.
6. To prevent fire or shock, do not expose this equipment to moisture or water.
7. Clean only with a dry cloth.
8. Install in accordance with manufacturer's instructions.
9. Do not install near any heat sources such as radiators, heat registers, stoves or other apparatus that produce heat.
10. Use only attachments/accessories specified by THEORY AUDIO DESIGN, LLC.
11. Use only with hardware, brackets, stands, and components sold with the apparatus or supplied by THEORY AUDIO DESIGN, LLC.
12. Refer all servicing to qualified service personnel. Servicing is required when the apparatus is damaged in any way.

PARTS LEGEND



PARTS LIST

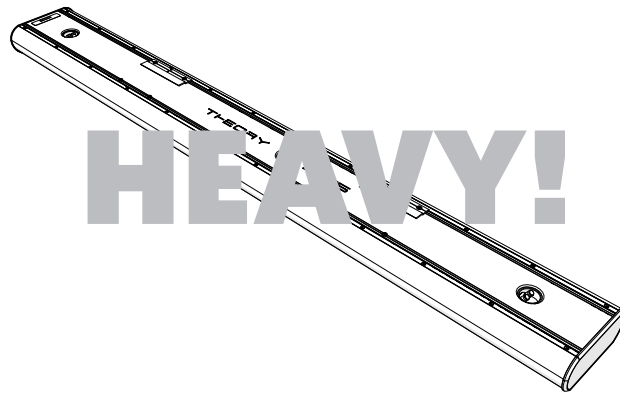
1. sb TABLE TOP STAND - QTY. 2
2. SPACERS - QTY. 8
3. M5 MACHINE SCREWS - QTY. 8
4. HEX KEY - QTY. 1

SOUNDBAR MODELS

GET HELP

Your Theory SOUNDBAR is heavy and physically large. You will need at least one other person to lift and position the soundbar during installation of the TABLE TOP STANDS.

DO NOT TRY TO LIFT AND MOVE YOUR THEORY SOUNDBAR BY YOURSELF.



1 - LAY SOUND BAR FACE DOWN

Find a safe, large, flat location free of protrusions or debris and carefully lay your soundbar face down. Figure 1.

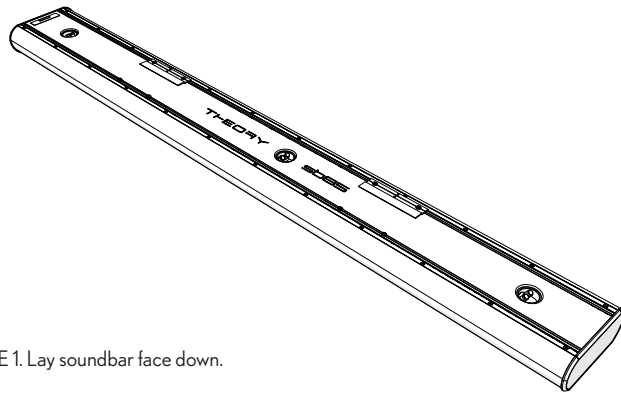


FIGURE 1. Lay soundbar face down.

2 - REMOVE Z-CLIPS

Using supplied hex key, remove the M5 machine screws holding the Z-clip mounting brackets in place. Remove the Z-Clips and store for future use. Retain the M5 machine screws to mount the TABLETOP STANDS. Figure 2a.

In similar fashion, remove the secondary M5 machine screws installed in the lower T-slot and retain to mount the TABLETOP STANDS. Figure 2b.

This will leave 8 nuts in the T-SLOT tracks. We will use these nuts to attach the TABLETOP STANDS. Do not attempt to remove the nuts.

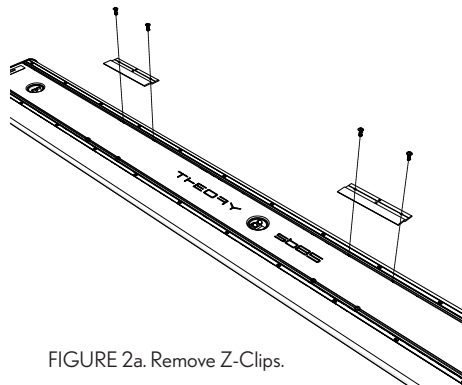


FIGURE 2a. Remove Z-Clips.

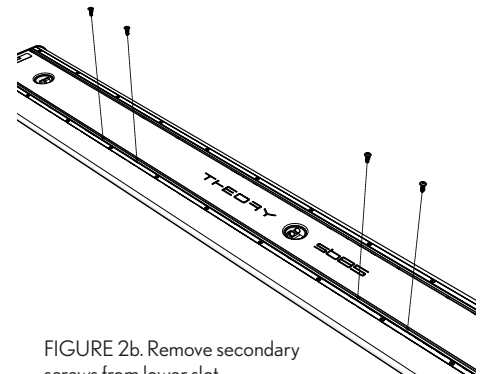


FIGURE 2b. Remove secondary screws from lower slot.

3 - ATTACH LEFT STAND - LOOSELY

One at a time, align an M5 screw, stand mount hole and spacer* with a nut inside the T-slot making sure that you attach the stand's left mount holes with the nuts to the left of the other nuts. The nuts can be moved within the T-slot using a small screwdriver or the hex key. Observe stand orientation shown. Engage the screw into the nut just enough to retain the nut on the screw, but leave as loose as possible as you will need to move the stand/screw/spacers* around to align with the other nuts in the T-slots as you go. Figure 3.

*Use of spacers is optional, but doing so will protect the rear aluminum surface of the soundbar from scratches

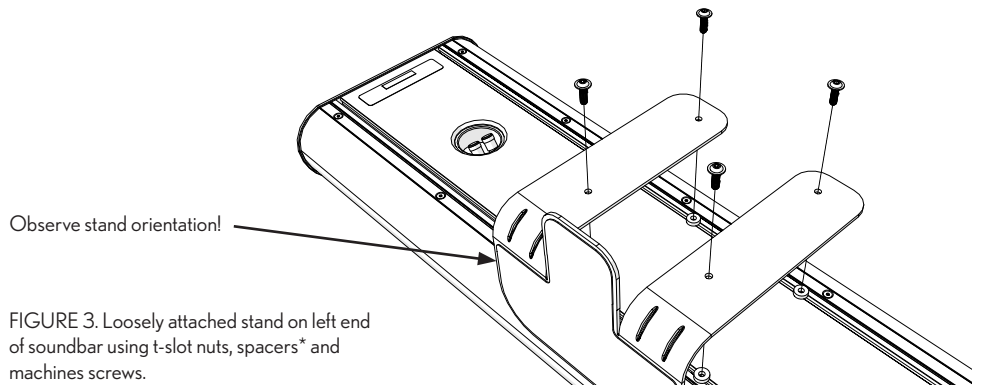


FIGURE 3. Loosely attached stand on left end of soundbar using t-slot nuts, spacers* and machines screws.

SOUNDBAR MODELS (CONT'D)

4 - ATTACH RIGHT STAND - LOOSELY

Repeat the procedure from Step 3 to attach the right stand to the soundbar, again, do not tighten the screws yet. Figure 4.

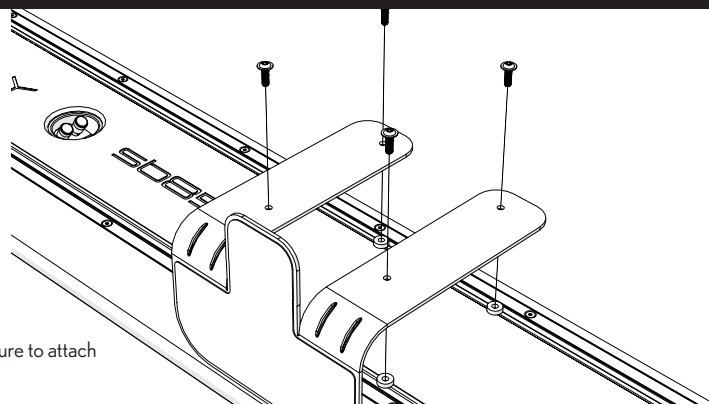


FIGURE 4. Repeat procedure to attach right stand.

5 - POSITION TABLETOP STANDS

While the machine screws are all still loose, position each stand approximately 25% of the length of the soundbar away from each end, leaving 50% of the soundbar length between them. Figure 5.

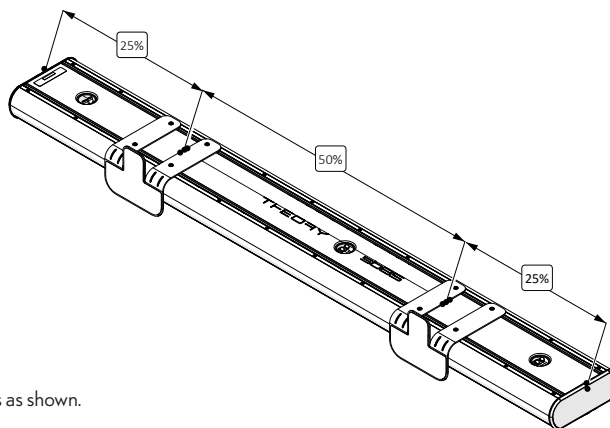


FIGURE 5. Space stands as shown.

6 - TIGHTEN ALL SCREWS

Once you're satisfied with the stand positions, use supplied hex key to tighten all 8 machine screws. Figure 6.

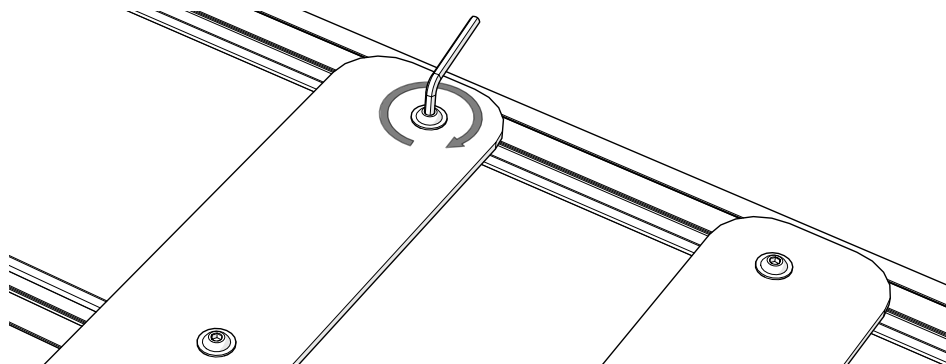


FIGURE 6. Tighten all screws.

7 - SET SOUNDBAR INTO PLACE

Once all stand mount screws are tight, the sound bar may be carefully lifted and set into place. Figure 7.

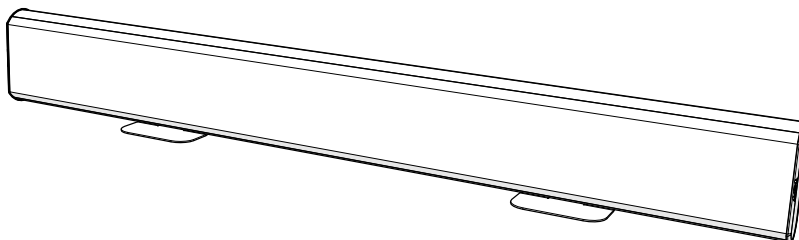


FIGURE 7. With two or more people, carefully set soundbar into place.

MULTI-USE MODELS

SB MULTI-USE SPEAKERS - HORIZONTAL

Following the procedures to attach the stands outlined for the soundbar models, attach one stand in the center of the sb multi-use speaker. Figure 8.

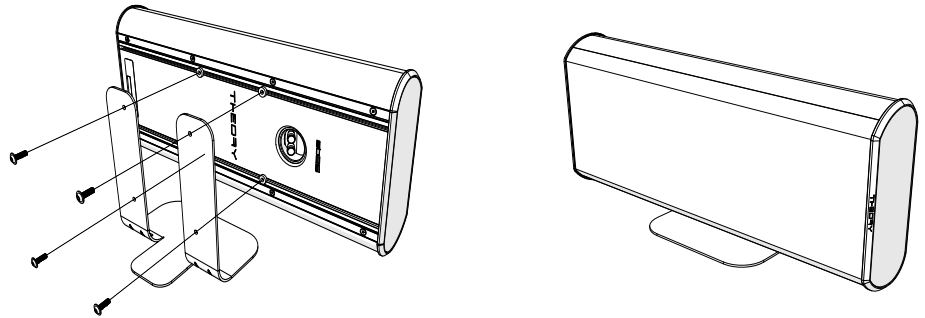


FIGURE 8. Install one stand in the center of the sb multi-use speaker and set in place.

SB MULTI-USE SPEAKERS - VERTICAL

Following the procedures to attach the stands outlined for the soundbar models, attach the stand *to the end* of an sb multi-use speaker. For this application, the top and bottom stand mount holes will attach to the same loudspeaker t-slot. Figure 9.

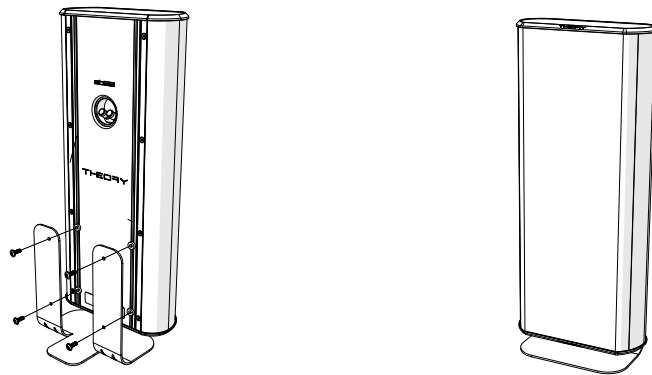


FIGURE 9. Install one stand on the *end* of the sb multi-use speaker and set in place.

© 2021 THEORY AUDIO DESIGN, LLC. All rights reserved.

Theory Audio Design routinely engages in programs to improve, modify and revise its products without notice or obligation. As such, your product may differ slightly from what is shown in this guide.

THEORY AUDIO DESIGN, LLC

25741 Atlantic Ocean Drive, Suite B
Lake Forest, CA 92630

Tel: 949-245-0505
www.theoryaudiodesign.com